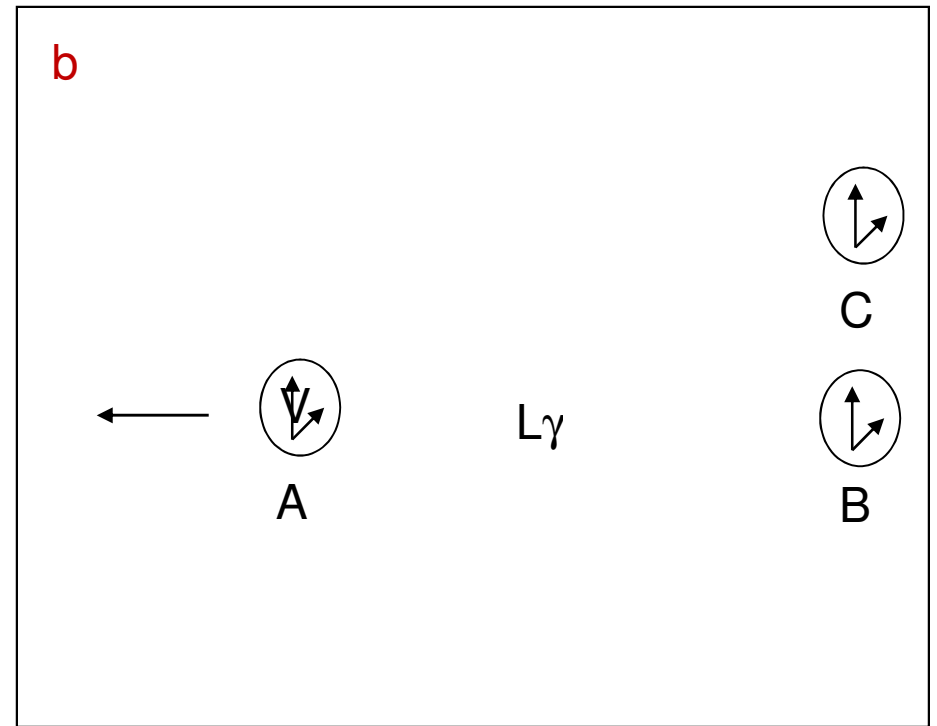
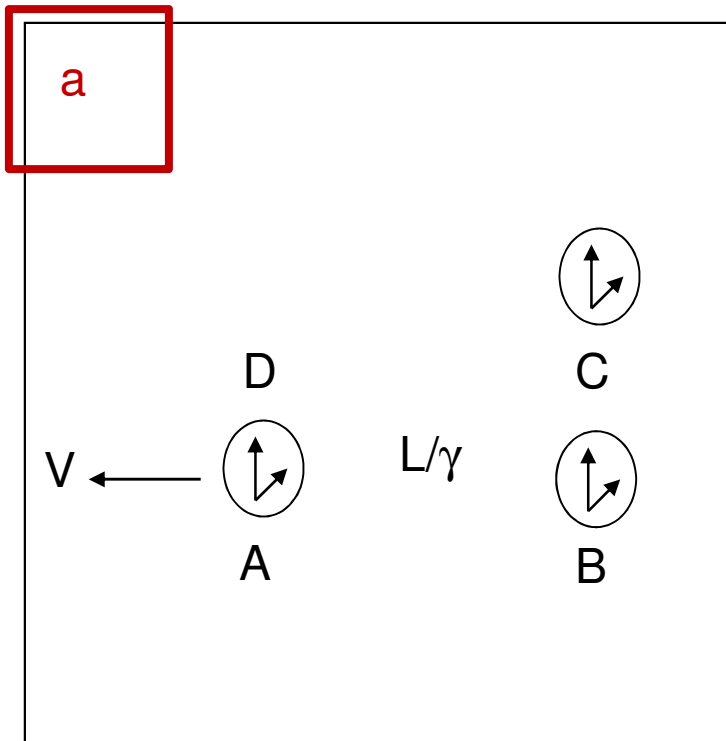
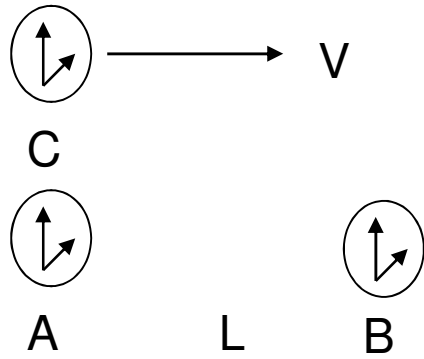
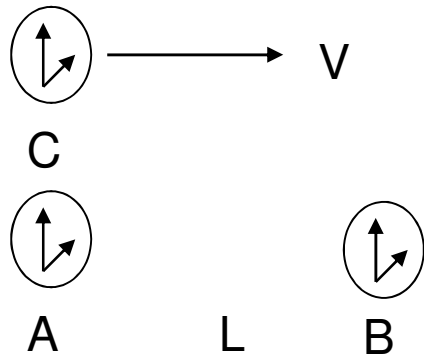


Which is correct in the frame of clock C?





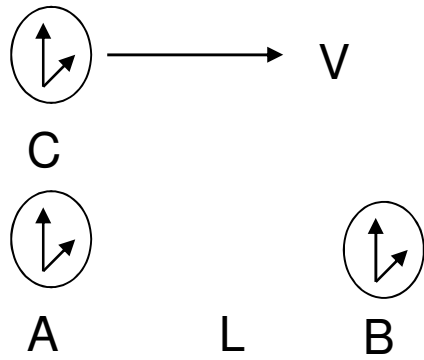
In the AB reference frame, how much time has elapsed on clock A when C reaches B?

a)  $L/v$

b)  $L/c$

c)  $L\gamma/V$

d)  $L/(\gamma V)$



How much time has elapsed on clock C when it reaches B?

a)  $L/v$

b)  $L/c$

c)  $L\gamma/V$

d)  $L/(\gamma V)$